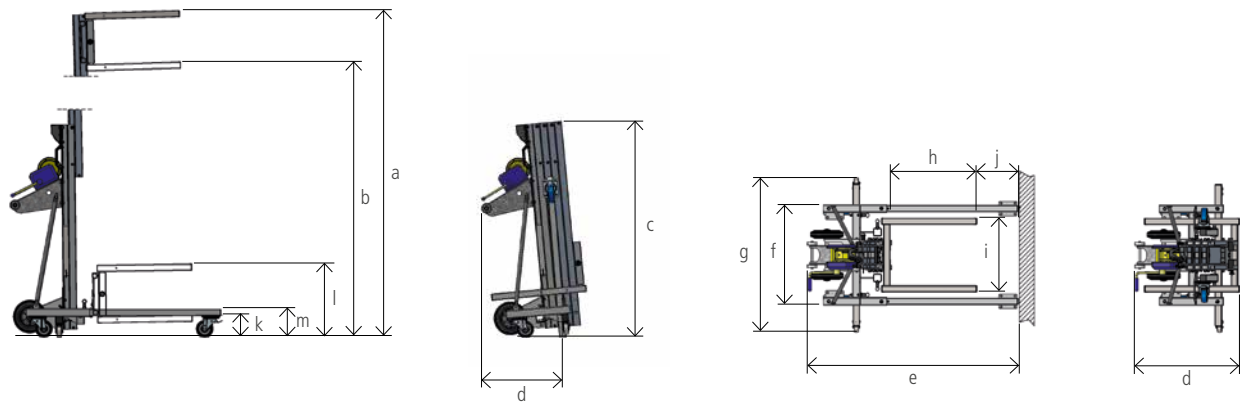


ALU-Material-Lift LMC S4



| Model | LMC S4 ¹⁾ | | | | | | | |
|--|----------------------|------|------|------|------|------|------|------|
| | | 280 | 335 | 395 | 480 | 510* | 620* | 625* |
| Carrying capacity [kg] | | 250 | 250 | 250 | 250 | 250 | 250 | 250 |
| Lifting height max. load fork top [mm] | a | 2780 | 3360 | 3940 | 4790 | 5090 | 6230 | 6250 |
| Lifting height max. load fork bottom [mm] | b | 2390 | 2970 | 3560 | 4400 | 4700 | 5840 | 5860 |
| Lifting height min. load fork top [mm] | l | 565 | 565 | 565 | 565 | 565 | 565 | 565 |
| Lifting height min. load fork bottom [mm] | k | 180 | 180 | 180 | 180 | 180 | 180 | 180 |
| Height front parts [mm] | m | 210 | 210 | 210 | 210 | 210 | 210 | 210 |
| Load fork dimensions | | | | | | | | |
| Length [mm] | h | 650 | 650 | 650 | 650 | 650 | 650 | 650 |
| Width [mm] | i | 560 | 560 | 560 | 560 | 560 | 560 | 560 |
| Wall clearance load fork [mm] | j | 205 | 200 | 150 | 150 | 210 | 210 | 300 |
| Dimensions for use | | | | | | | | |
| Chassis width [mm] | f | 760 | 760 | 760 | 760 | 760 | 760 | 760 |
| Chassis length [mm] | e | 1495 | 1490 | 1490 | 1490 | 1650 | 1600 | 1765 |
| Width with lateral outriggers [mm] | g | 1435 | 1435 | 1435 | 1435 | 1435 | 1435 | 1435 |
| Transport dimensions | | | | | | | | |
| Height of mast [mm] | c | 1620 | 1910 | 1630 | 1915 | 1635 | 1925 | 1640 |
| Width [mm] | f | 760 | 760 | 760 | 760 | 760 | 760 | 760 |
| Length [mm] | d | 725 | 725 | 755 | 750 | 810 | 800 | 860 |
| Net weight | | | | | | | | |
| without lateral outriggers and with fixed attachments [kg] | | 112 | 116 | 127 | 135 | 137 | 149 | 159 |
| with lateral outriggers and fixed attachments [kg] | | 123 | 127 | 138 | 146 | 148 | 160 | 170 |